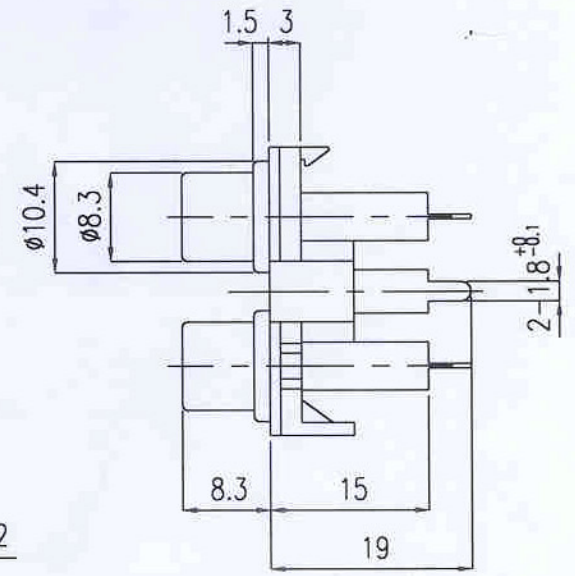
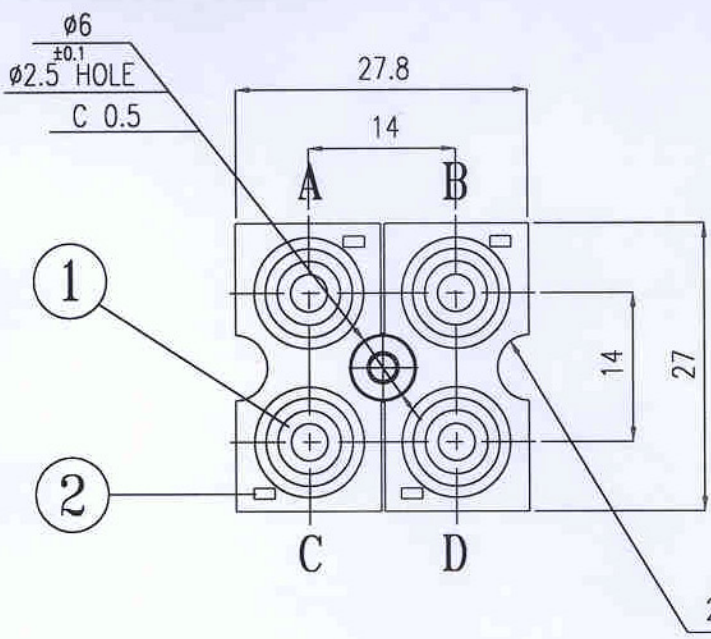
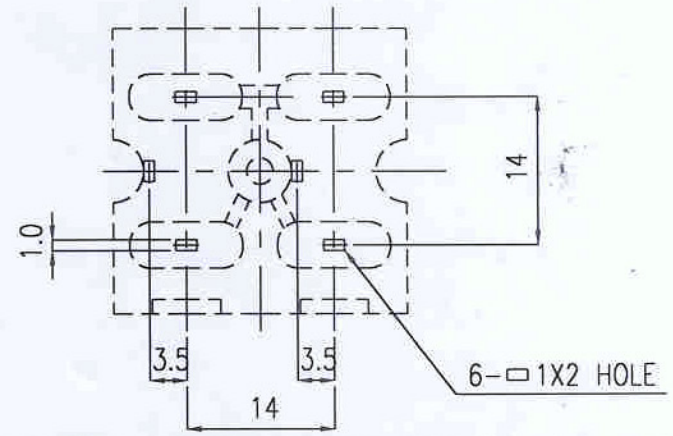
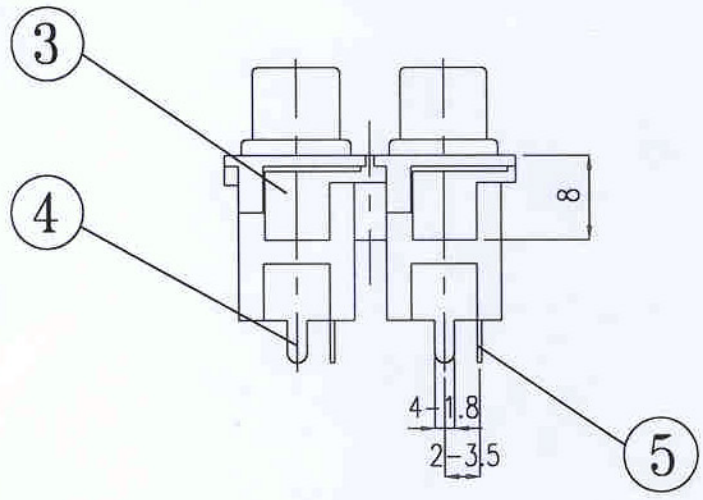


ALLOWANCE	MARK	DATE	DESCRIPTION OF REVISION	APPROVED
UNDER 6 ± 0.05	△	. .		
6 TO 18 ± 0.1	△	. .		
18 TO 32 ± 0.15	△	. .		
32 TO 50 ± 0.2	△	. .		
50 OVER ± 0.25	△	. .		

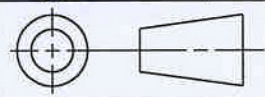


PCB-MTG



5	CAP-GROUND	C2600 1-0	0.4t	2	P192	-PLATING
4	PIN	C2680 1/2H	0.6t	4	P039	NI -PLATING
3	BASE	ABS	94HB	1	M664	NP
2	COVER	ABS	94HB	2	M661	BLACK
1	WASHER	ABS	94HB	4	M616	A B C D

NO	PART NAME	MATERIAL	QUANTITY	PART NO	REMARKS
----	-----------	----------	----------	---------	---------



SCALE 1/1 DIMENSION m/m

DRAWING	CHECKED	JUDGING	APPROVED	NAME TITLE	PIN JACK BOARD(4P)
1992.1.27	1992.1.27			DRAWING NUMBER	J1040040