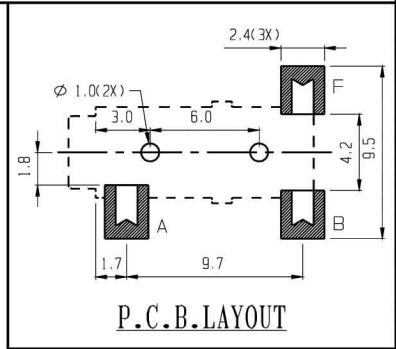
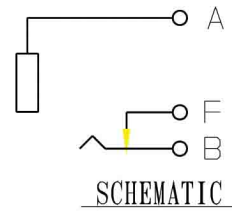


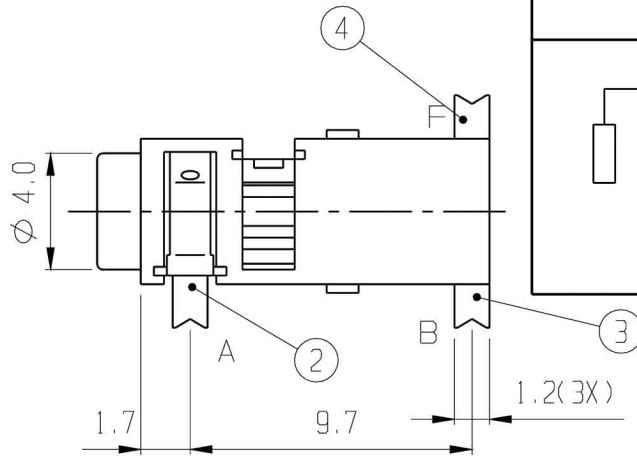
MATING PLUG



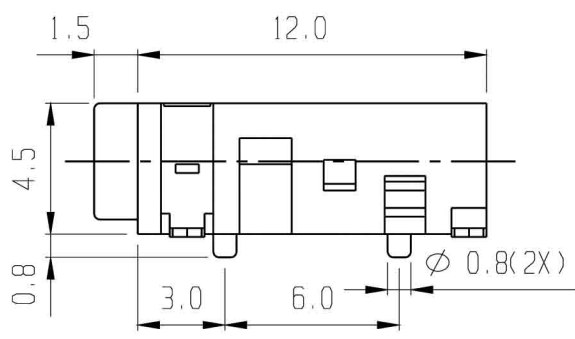
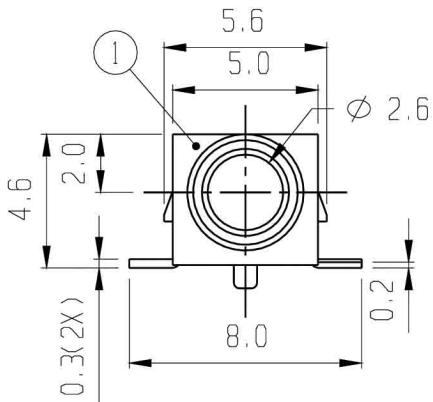
P.C.B. LAYOUT



SCHEMATIC



RoHS Compliance



NO.	PART	MATERIAL	QTY	REMARKS	NO.	PART	MATERIAL	QTY	REMARKS
3	TERMINAL	P B S	1	Ag-PLATING	4	TERMINAL	BRASS	1	Ag-PLATING
1	FRAME	NYLON	1		2	TERMINAL	P B S	1	Ag-PLATING

ISSUED	SPECIFICATION	TITLE: 2.5mm SMD STEREO JACK			
	RATING: DC 30V 0.3A	MODEL NO: SCJ-2573-SMT-B			
	CONTACT RESISTANCE: 50mΩ max.				
	INSULATION RESISTANCE: 100MΩ AT 500V DC	TOLERANCE	UNIT: MM	DWN.	<i>hwo</i>
	WITHSTAND VOLTAGE: AC 500V for 1 minute	UP TO 1.0:±0.1	SCALE: 4:1	CHK'D.	<i>ms</i>
	OPERATION FORCE: REFER ATTACH SPECIFICATION	1.0 TO 10.0:±0.2	VERSION: 02	APPD.	<i>[Signature]</i>
	SWITCHING LIFE: 5,000 cycles min.	OVER 10.0:±0.3	DRWG NO:		

BY: *[Signature]*
DATE: 20-FEB-2003

