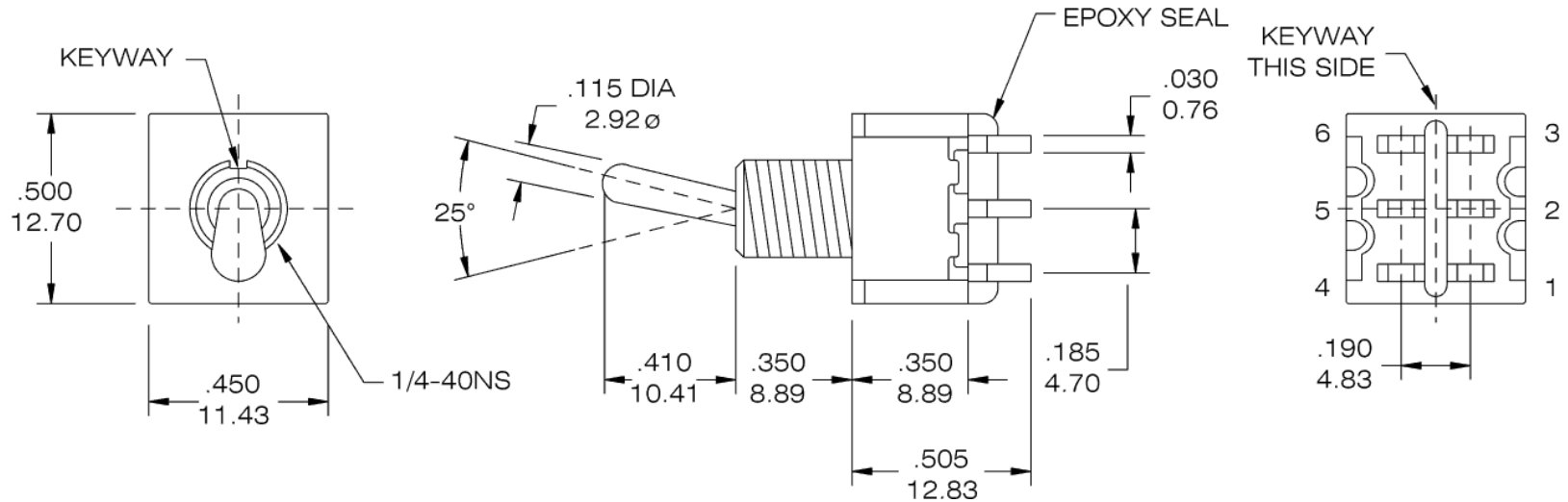
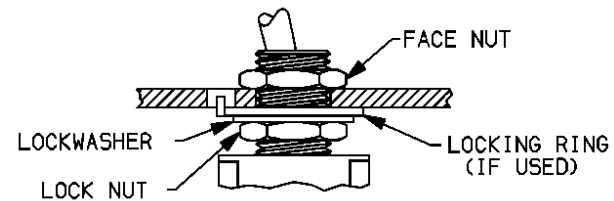


# Product Drawing



*Use diagram shown above*

### PCB Footprint



Typical Assembly with Locking Ring  
 Locknut should always be used with non-flanged bushing  
 To prevent damaging panel front, always tighten locknut at  
 the back of the panel.

Description:		Standard outline drawing.	
Page:	1	Date:	2003-12-02
of:	1	Revision:	1.0
P/N		T8011	