



800-227-0075

http://www.vimex.com

Part Number System

T 8 0 1 9 - S - E - Q - E - S - T 1 - 2

Switch Function (SPDT)				Actuator		Bushing		Contact	Epoxy Seal	Support Bracket Type		Actuator Cap		Cap Color	
Model No.	Switching Position			S	10.41	E (STD)	8.89	Q	(none)	(none)		T1	10.29 actuator S	0	Clear
T8019	ON	none	ON	T	5.08	M non-thrd	8.89	R	E	S	snap-in type	T2	7.28 actuator T	1	White
T8019A	ON	none	(ON)	X	13.97	K metric	8.89	G						2	Black
T8020	ON	OFF	ON	W	21.34	F	7.10	K						3	Red
T8020A	(ON)	OFF	(ON)	V	16.26	N non-thrd	7.10							4	Yellow
T8020B	ON	OFF	(ON)	Flatted Toggle		G	7.52							5	Blue
Term Comm	2-3	open	2-1	U	11.43	G1 non-thrd	7.52							6	Green
				U1	7.20	H	8.00							7	Orange
				Locking Lever		H1 non-thrd	8.00								
				LK	Round	J (long)	9.60								
				LK1	Flat top	J1 non-thrd	9.60								
						L splash-prf	7.47								
						none									
						No code if LK/LK1 actuator unless splash proof or non-thread chosen									

See following pages for details

Page:	1	Date:	2003-12-17	Description:	Build a part number.
of:	5	Revision:	1.0	P/N	T8019



800-227-0075

http://www.vimex.com

Part Number System

Actuator Options				
S (standard)	T (standard)	X (long)	W (long)	V (long)
Flatted Actuators (only available with 'H' or 'H1' or 'H2' bushing)			Locking Lever	
U (standard)	U1 (short)	LK (round top)	LK1 (flat top)	
<p>Bushing option code not required unless 'L' splashproof bushing is ordered</p>			<p>Bushing option code not required unless: (1) 'L' splashproof bushing ordered (i.e. LKL or LK1L) (2) non-thread bushing required choose bushing code 'N' (i.e. LKN or LK1N) Locking Levers ONLY available with ON-ON or ON-OFF-ON action.</p>	

Page:	2	Date:	2003-12-17	Description:	Build a part number.
of:	5	Revision:	1.0	P/N	T8019



800-227-0075

http://www.vimex.com

Part Number System

Bushing Option

E threaded (standard) M non-thread	F threaded N non-thread	G threaded (standard) G1 non-thread	H threaded (standard) H1 non-thread H2 Metric	J threaded (standard) J1 non-thread	K Metric

Splash proof Solution

L

--	--	--	--

Description:

Build a part number.

Page:	3	Date:	2003-12-17
of:	5	Revision:	1.0

P/N

T8019



800-227-0075

http://www.vimex.com

Part Number System

Panel Mounting

1/4" Bushing		Metric Bushing		
<p>keyway</p>	<p>flatted D</p>	<p>with locking ring</p>	<p>keyway</p>	<p>with locking ring</p>

Contact Material Options

Code	Contact Material	Terminal Material	Rating
Q	Silver plated	Silver plated	5A @ 120VAC or 28VDC; 2A @ 250VAC
R	Gold plated over nickel plated	Gold plated over nickel plated	0.4VA max. @ 20VAC or VDC max.
G	Gold plated over silver plated	Gold plated over silver plated	0.4VA max. @ 20VAC or VDC max. <i>or</i> 5A @ 120VAC or 28VDC; 2A @ 250VAC
K	Gold plated over nickel plated	Tin-lead over nickel plated	0.4VA max. @ 20VAC or VDC max.

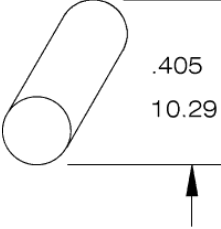
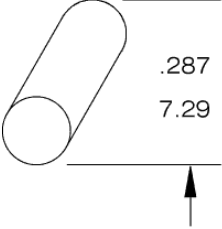
Page:	4	Date:	2003-12-17	Description:	Build a part number.
of:	5	Revision:	1.0	P/N	T8019

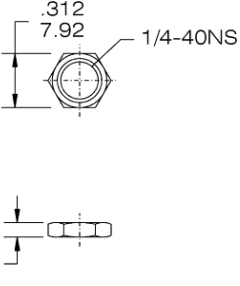
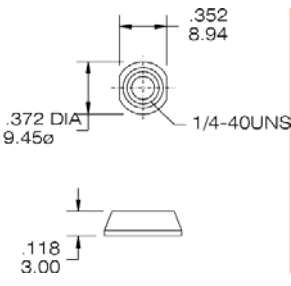
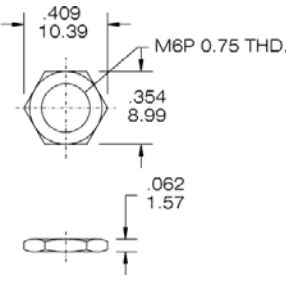
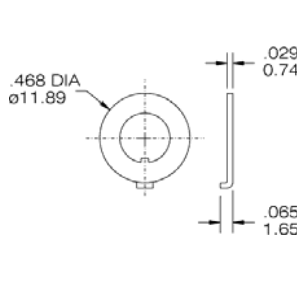
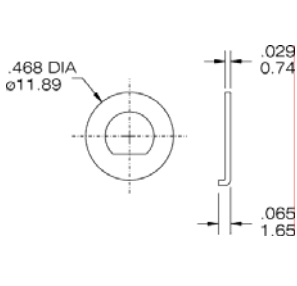
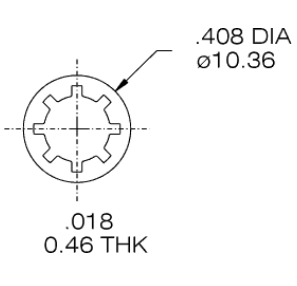


800-227-0075

http://www.vimex.com

Part Number System

Toggle Cap Option		Toggle Cap Color Option	
T1 (for 'S' actuator only)	T2 (for 'T' actuator only)	Code	Color
 <p>.405 10.29 Material Vinyl</p>	 <p>.287 7.29 Material Vinyl</p>	0	Transparent
		1	White
		2	Black
		3	Red
		4	Yellow
		5	Blue
		6	Green
		7	Orange

Hardware					
1/4-40NS hex (standard)	1/4-40NS DRESS NUT	Metric hex	1/4" & M6 Lock Ring	Flatted bush Lock Ring	1/4" & M6 Lock Washer
 <p>.312 7.92 1/4-40NS .062 1.57</p>	 <p>.352 8.94 1/4-40UNS .372 DIA 9.45ø .118 3.00</p>	 <p>.409 10.39 M6P 0.75 THD .354 8.99 .062 1.57</p>	 <p>.468 DIA ø11.89 .029 0.74 .065 1.65</p>	 <p>.468 DIA ø11.89 .029 0.74 .065 1.65</p>	 <p>.408 DIA ø10.36 .018 0.46 THK</p>

Page: 5				Date: 2003-12-17		Description: Build a part number.	
of: 5				Revision: 1.0		P/N T8019	