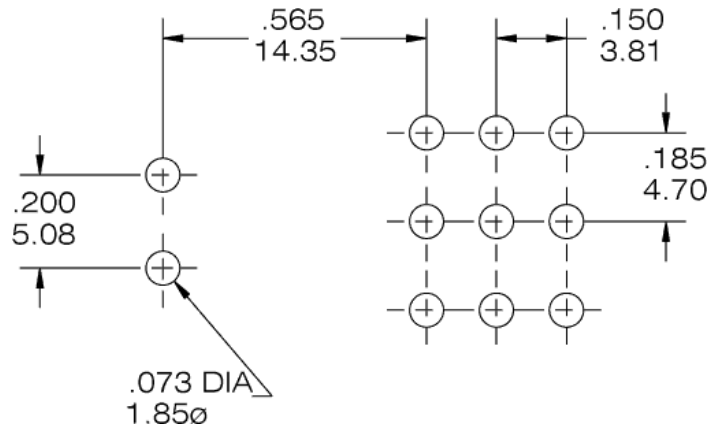
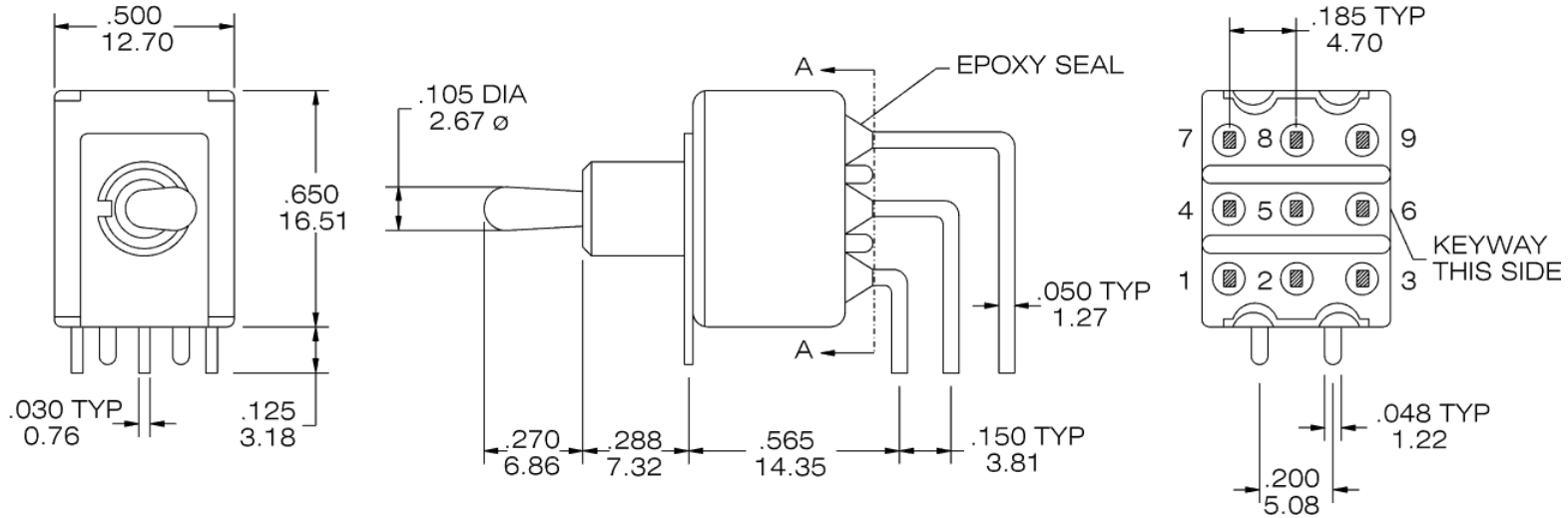




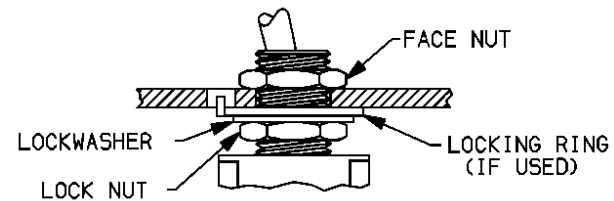
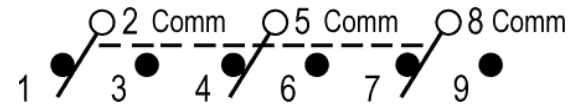
800-227-0075

http://www.vimex.com

Product Drawing



PCB Footprint



Typical Assembly with Locking Ring
 Locknut should always be used with non-flanged bushing
 To prevent damaging panel front, always tighten locknut at the back of the panel.

Page: 1		Date: 2003-12-02		Description:	Standard outline drawing.
of: 1		Revision: 1.0		P/N	T8301P(A)