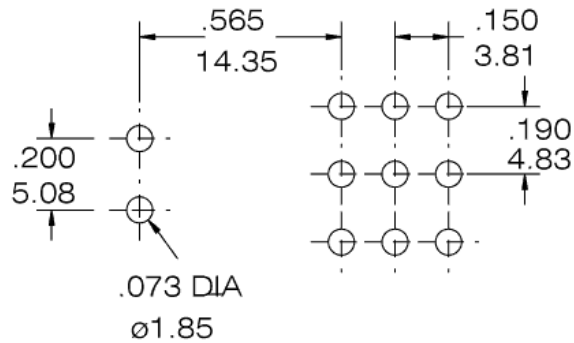
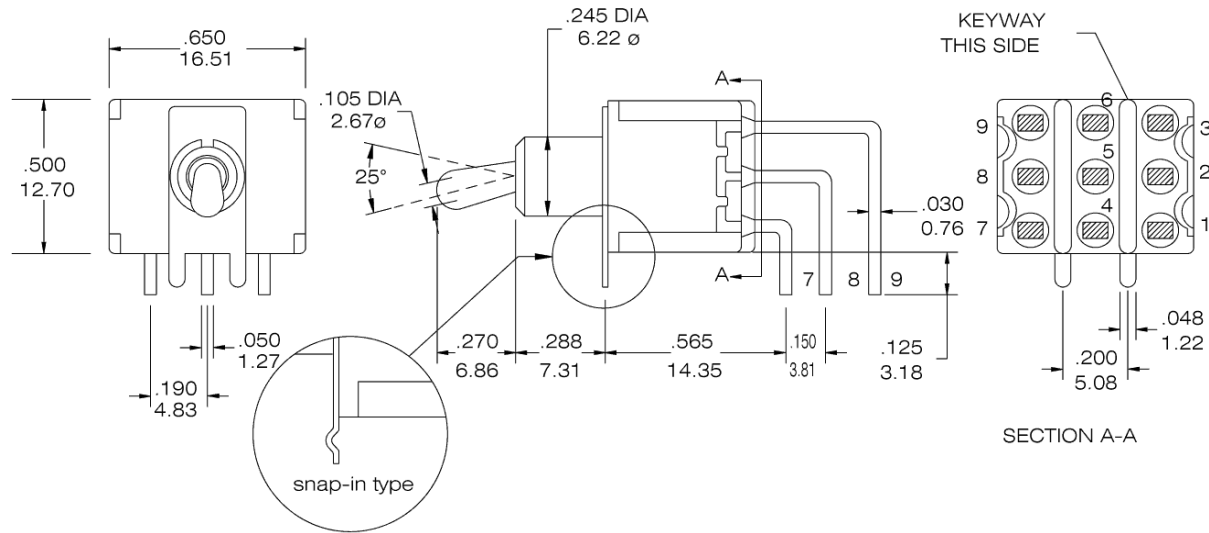




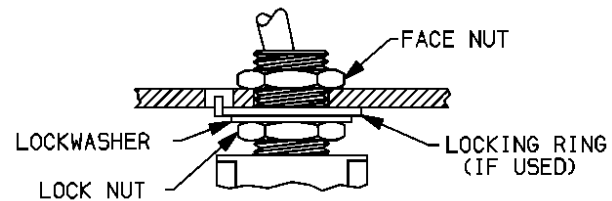
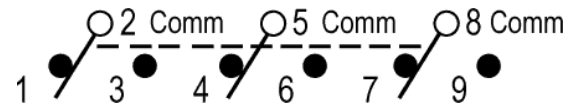
800-227-0075

http://www.vimex.com

Product Drawing



PCB Footprint



Typical Assembly with Locking Ring
 Locknut should always be used with non-flanged bushing
 To prevent damaging panel front, always tighten locknut at the back of the panel.

Page:	1	Date:	2003-12-02	Description:	Standard outline drawing.
of:	1	Revision:	1.0	P/N	T8301P